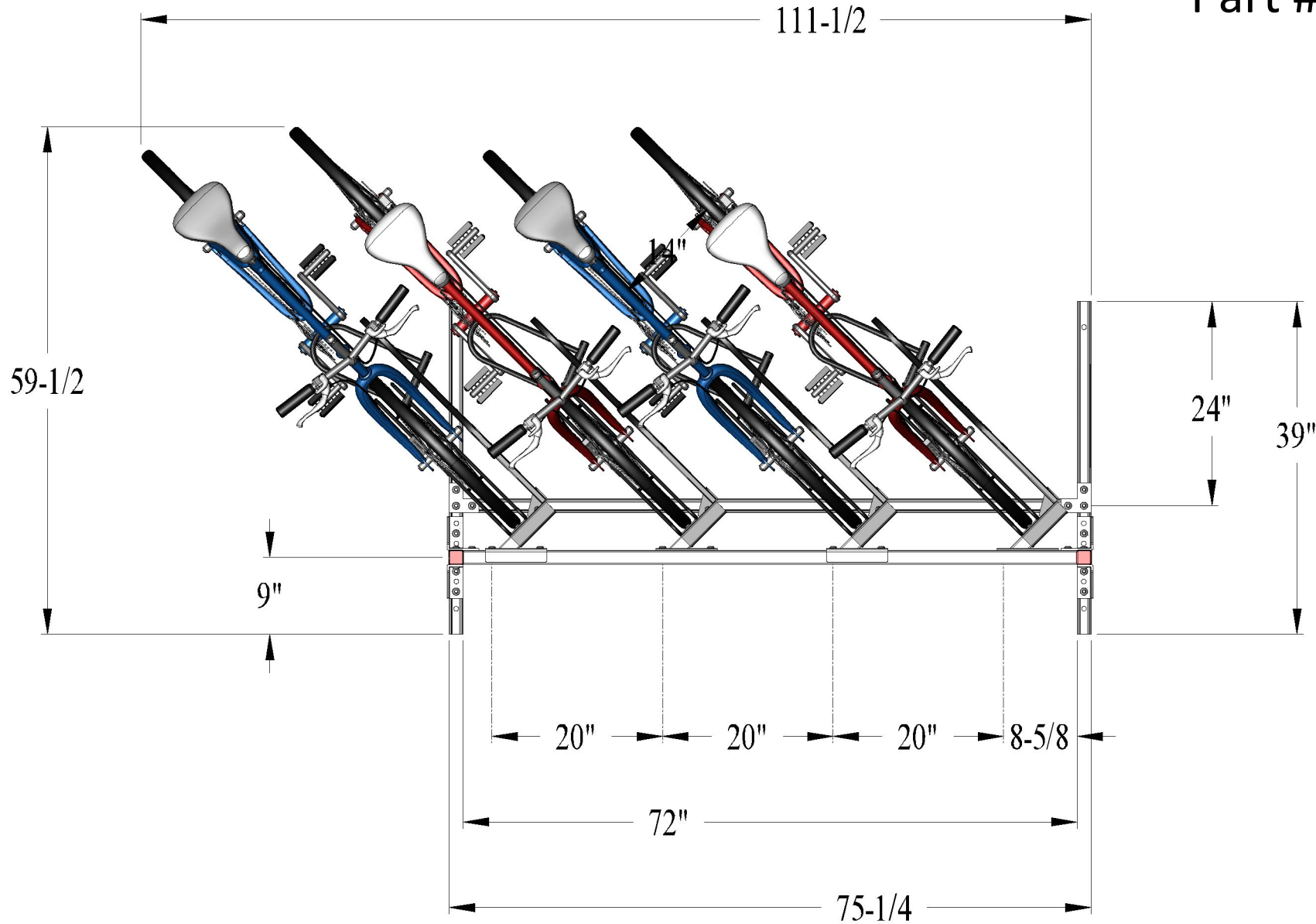


Part #17501



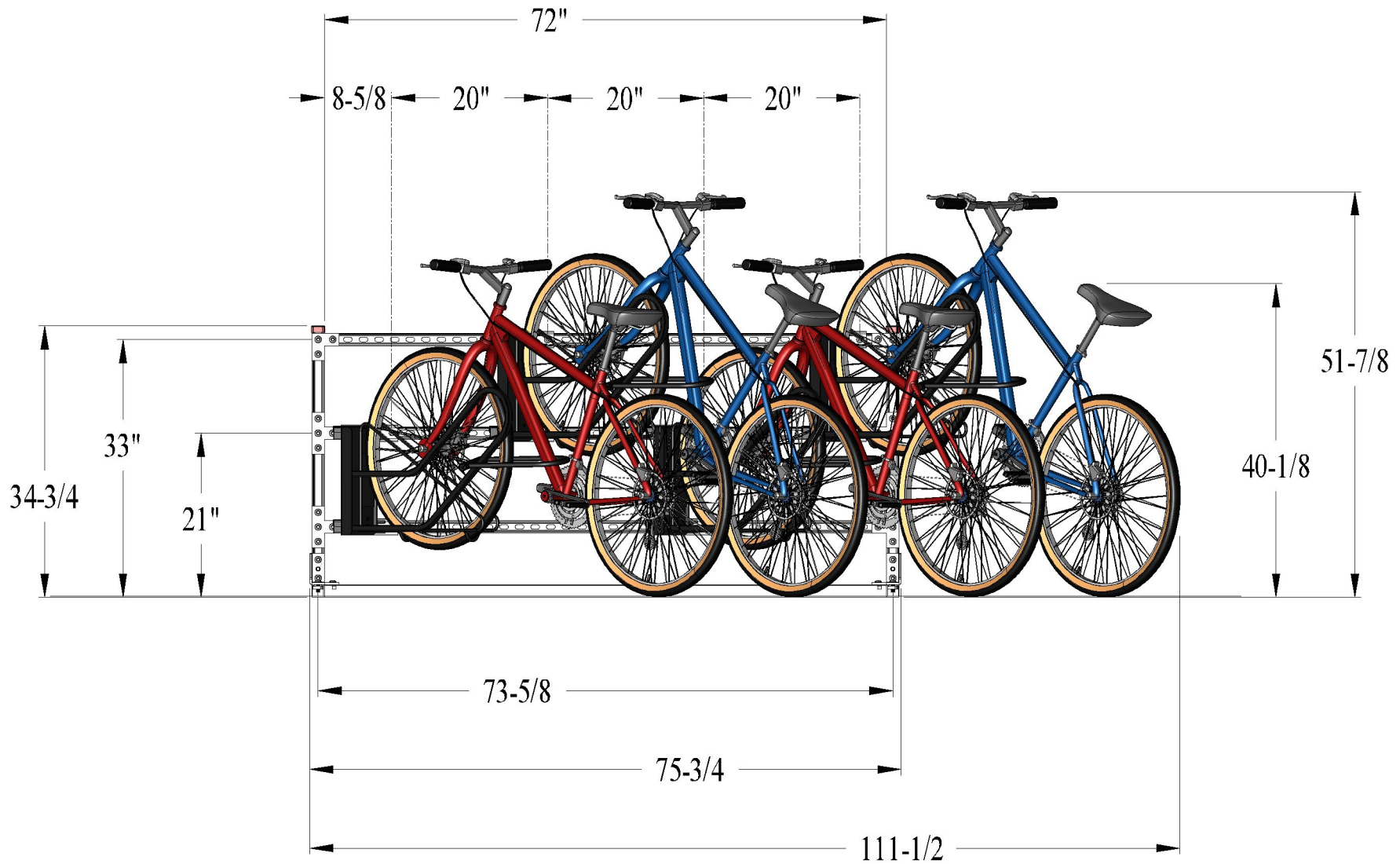
Bike Stall {4-Bike} U-Strut  
Strut Base {Angled} Master {Iso}

Part #17501



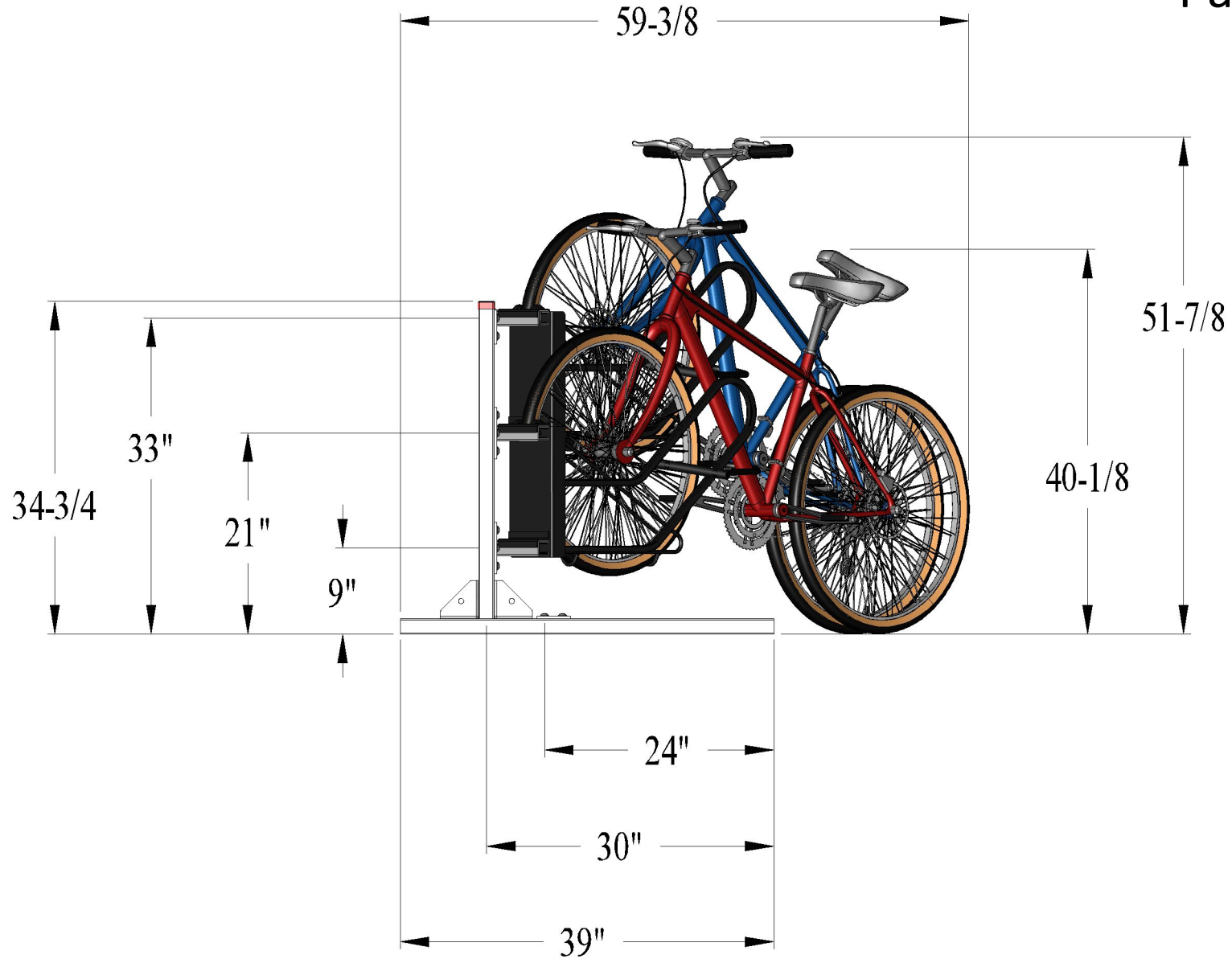
Bike Stall {4-Bike} U-Strut  
Strut Base {Angled} Master {Top} Dim's

Part #17501



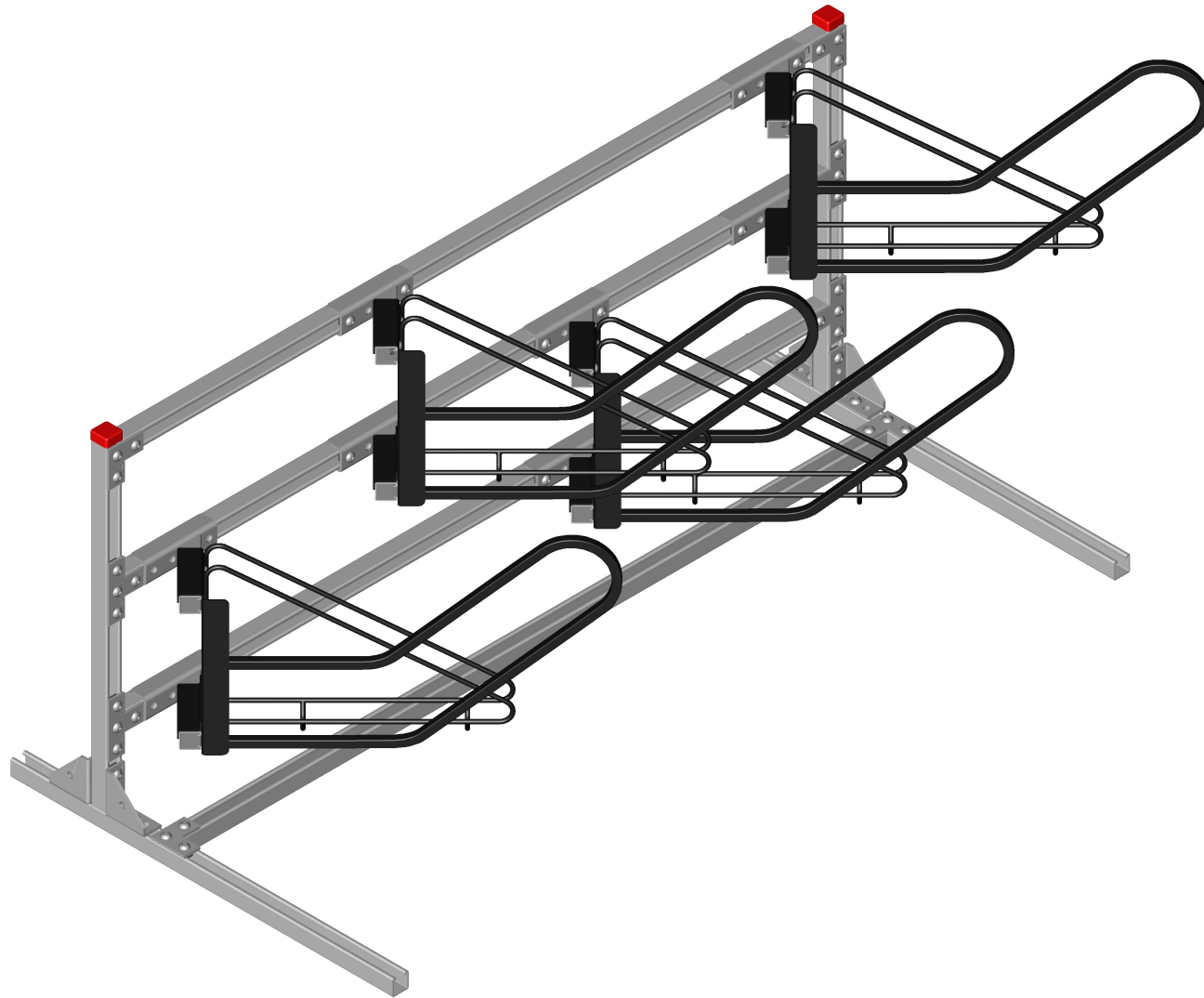
Bike Stall {4-Bike} U-Strut  
Strut Base {Angled} Master {Front} Dim's

Part #17501

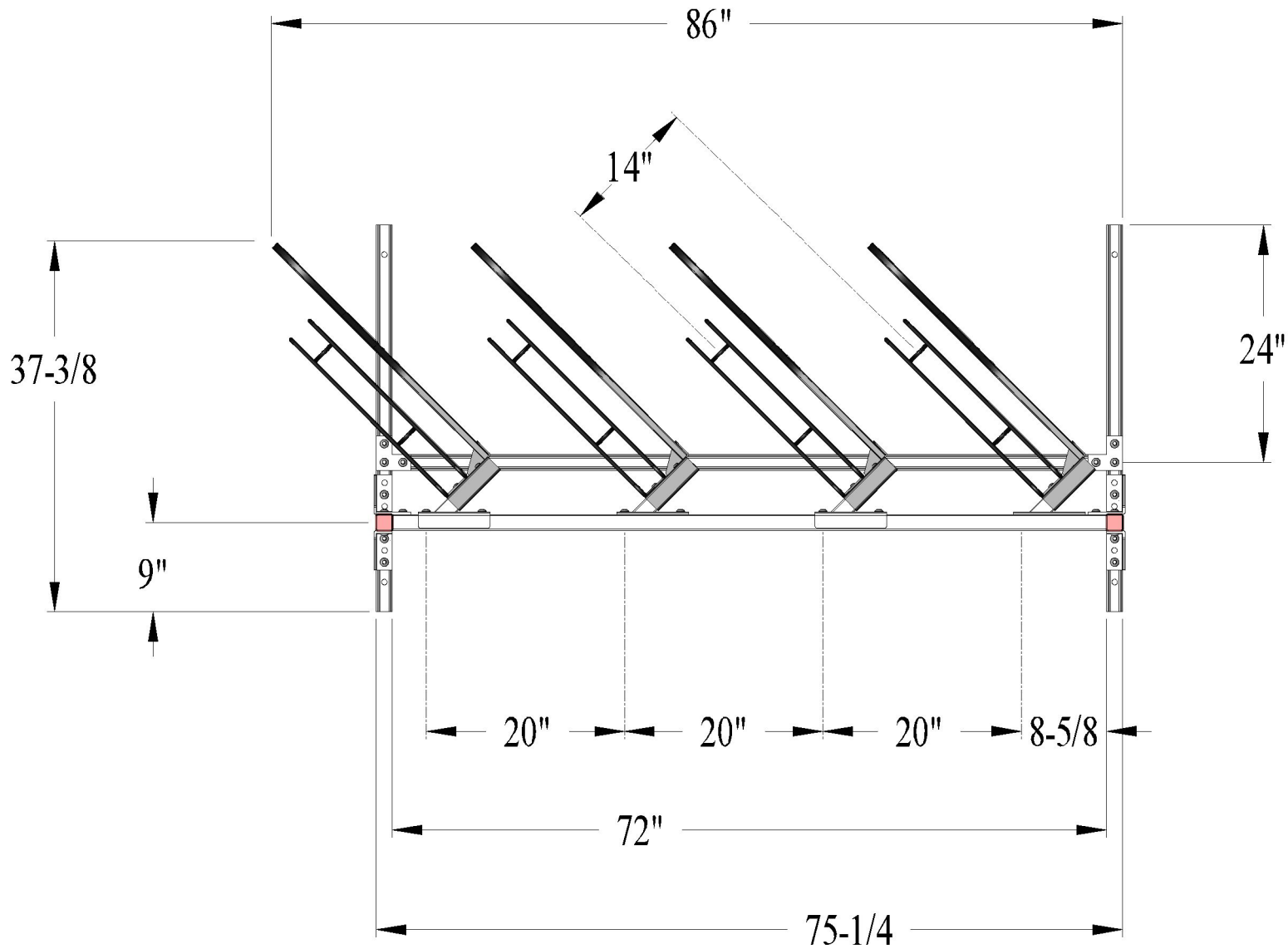


Bike Stall {4-Bike} U-Strut  
Strut Base {Angled} Master {Side} Dim's

Part #17501

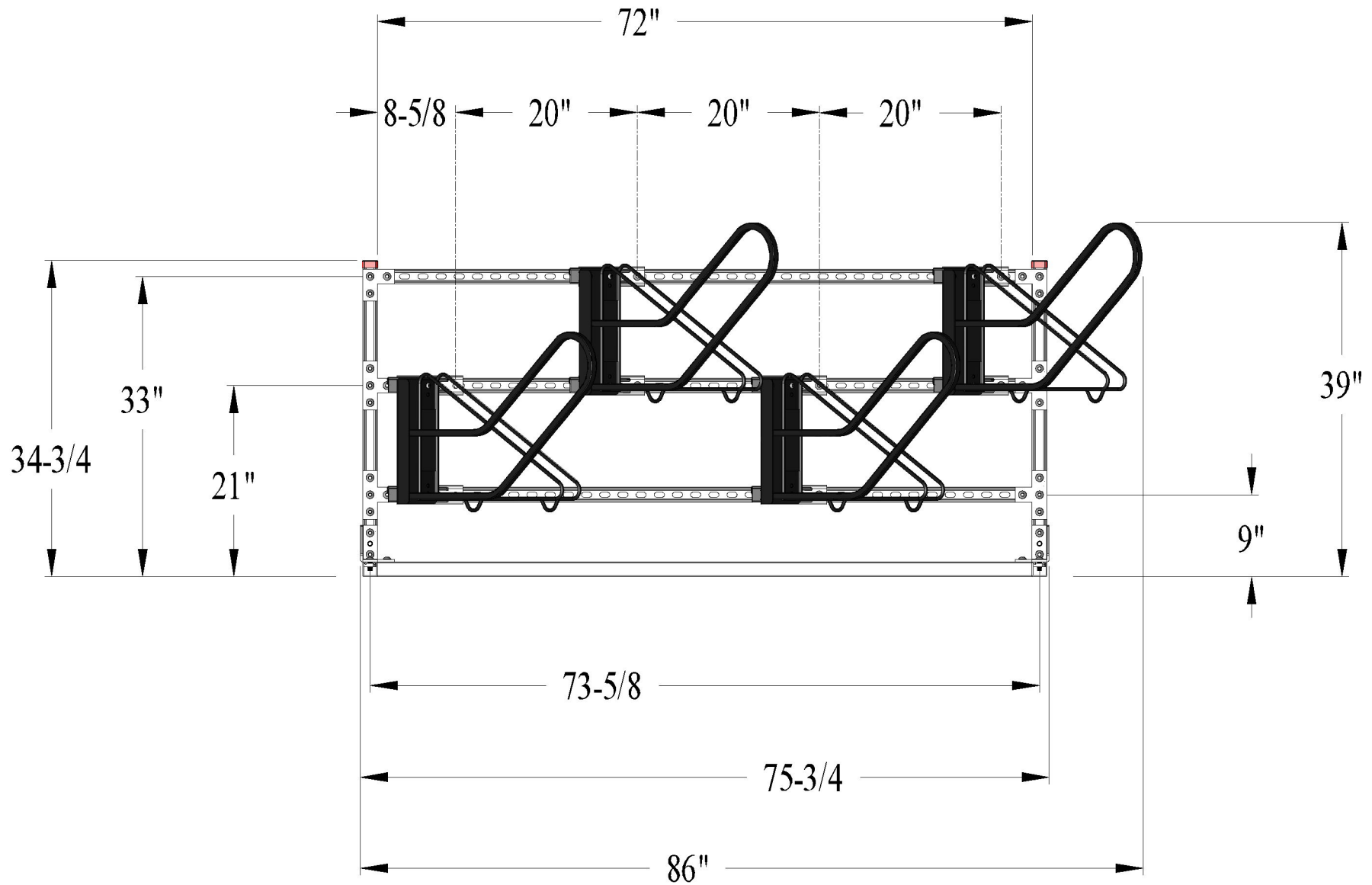


Bike Stall {4-Bike} U-Strut  
Strut Base {Angled} Assembly {Iso}

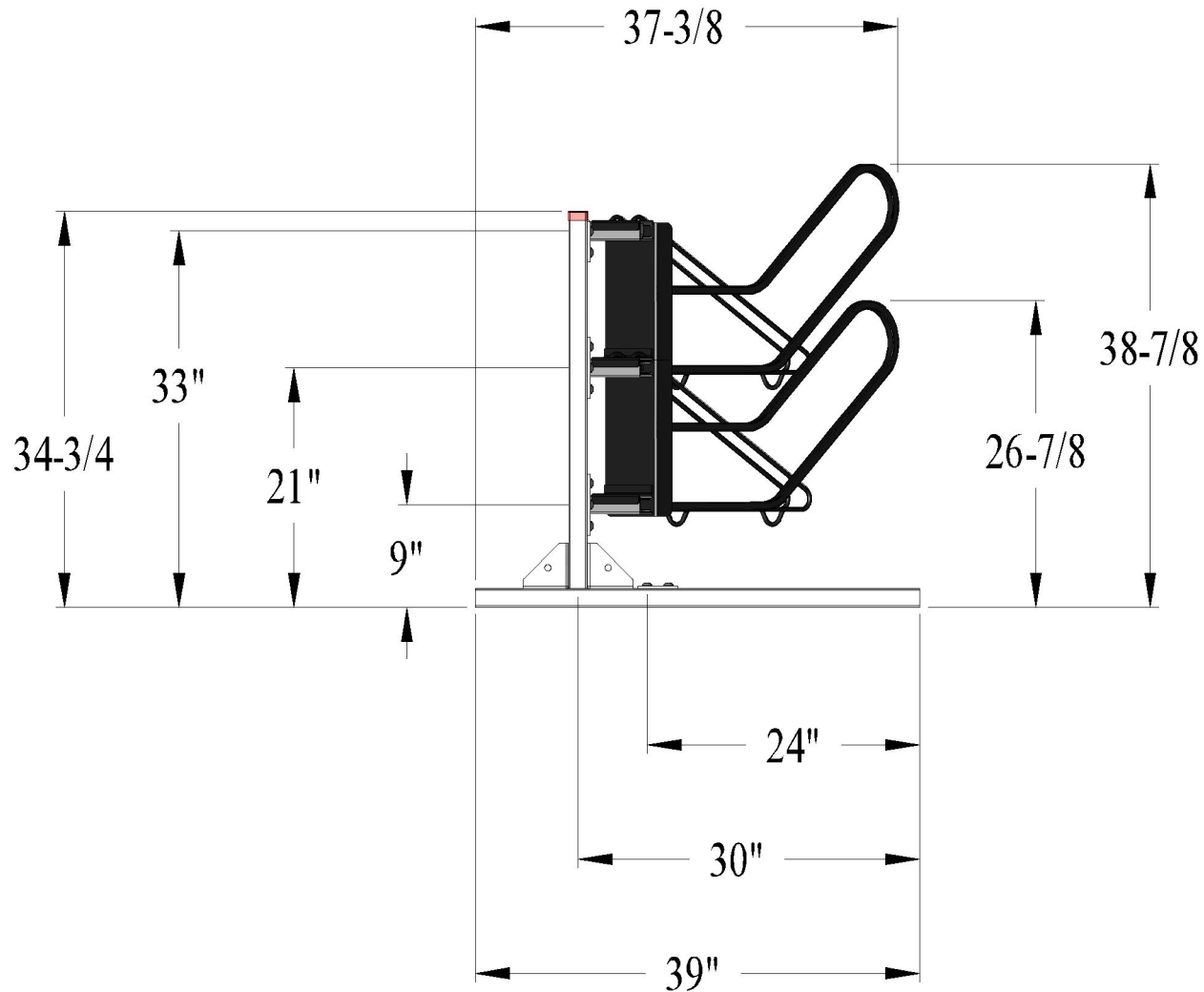


Bike Stall {4-Bike} U-Strut  
Strut Base {Angled} Assembly {Top} Dim's

Part #17501



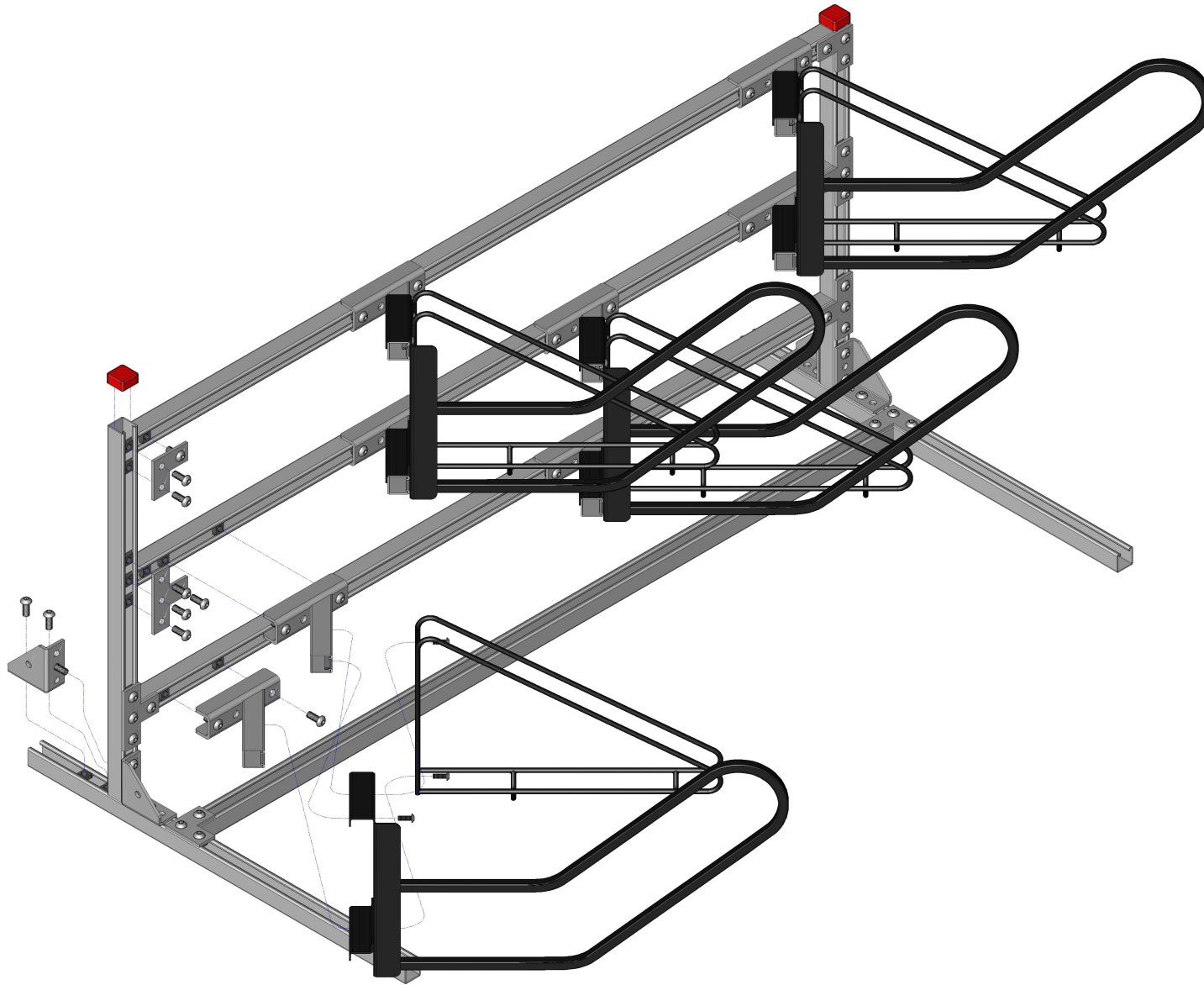
Bike Stall {4-Bike} U-Strut  
Strut Base {Angled} Assembly {Front} Dim's



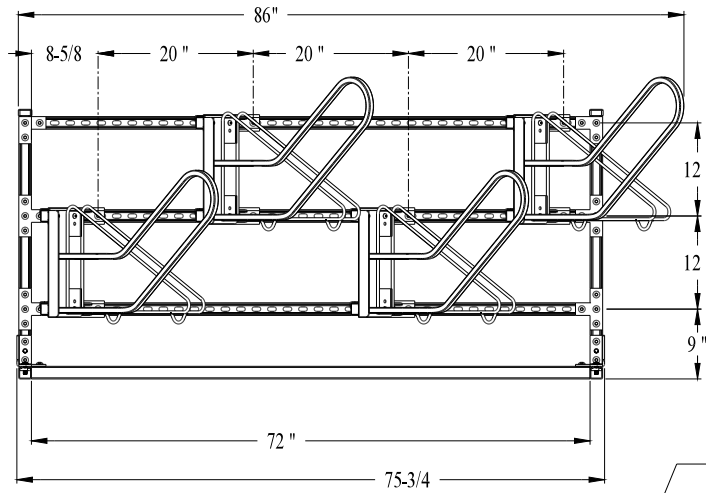
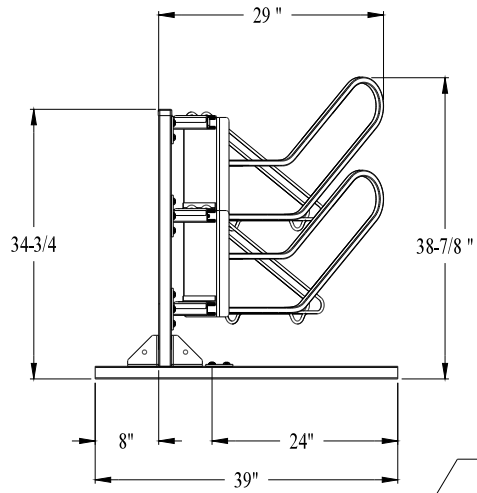
Bike Stall {4-Bike} U-Strut  
Strut Base {Angled} Assembly {Side} Dim's



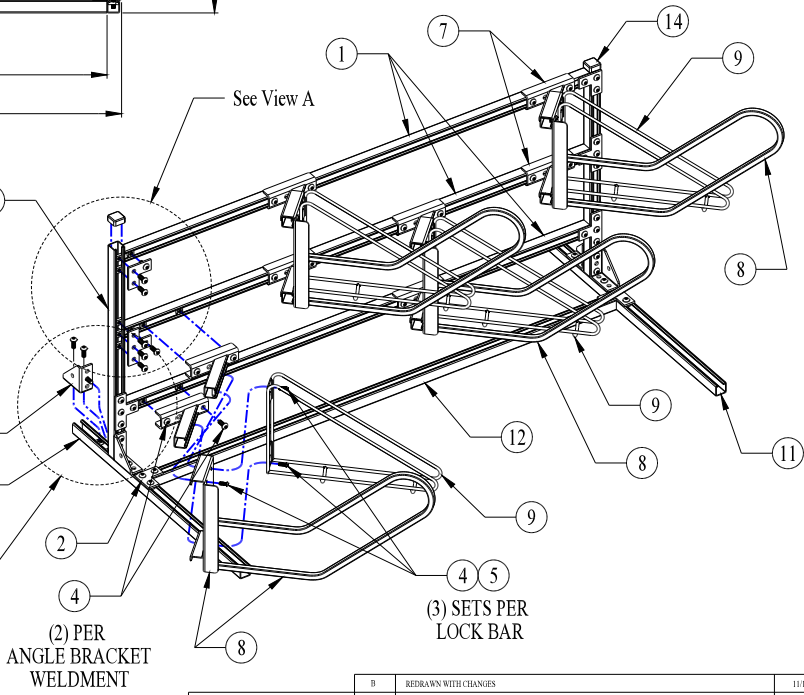
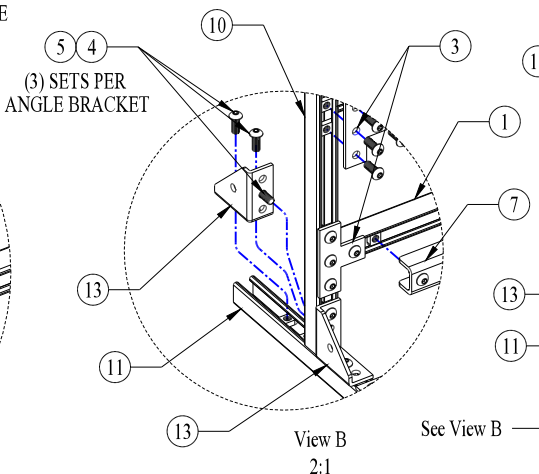
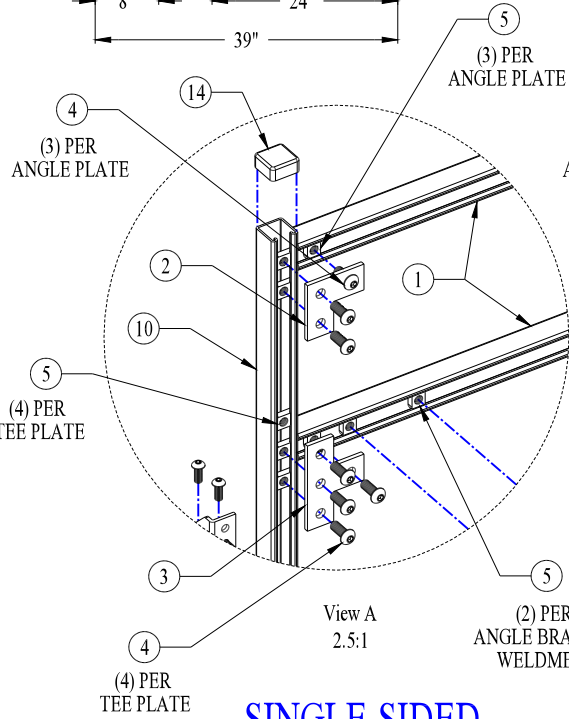
Part #17501



Bike Stall {4-Bike} U-Strut  
Strut Base {Angled} Assembly {Exploded}



ITEM	QTY	DESCRIPTION	PART NO.
1	3	U-STRUT {SLOTTED} SPANNER x 72" LG.	17486
2	4	ANGLE PLATE	17528
3	4	TEE PLATE	17524
4	56	3/8-16NC x 1" LG {TORX} S/S BHCS	12724
5	54	3/8-16NC U-STRUT {ZINC} NUT	17529
6	2	3/8-16NC SERRATED FLANGE NUT {ZINC}	19567
7	4	ANGLE {SILVER} BRACKET WELDMENT	17541
8	4	LOCK BAR WELDMENT	17549
9	4	WALL-RACK {BLACK} POWDER COATED	17502
10	2	U-STRUT {PLAIN} UPRIGHT x 33" LG.	17487
11	2	U-STRUT {PLAIN} BOTTOM x 39" LG.	17523
12	2	U-STRUT {PLAIN} SPANNER x 72" LG.	17521
13	4	ANGLE BRACKET	17529
14	2	U-STRUT {PLASTIC} END CAP	17530



- NOTES:
1. ALL MATERIALS MUST BE CLEAN AND FREE OF MILL LUBRICATION
  2. ANY BLEMISHES OR RUST WILL NOT BE ALLOWED ON COMPLETED PRODUCTS
  3. FOR "TAMPERPROOF" FASTENERS : USE 3/8-16NC S/S TORX {PINNED} BHCS (17590) IN PLACE OF ITEM #4

**SINGLE-SIDED  
HIGH DENSITY**

SHEET 1 OF 1		B	REDRAWN WITH CHANGES	11/12/13
		A	RELEASE FOR PRODUCTION	03/28/13
		REV	DESCRIPTION	DATE
TOLERANCES UNLESS OTHERWISE SPECIFIED: +/-		WALL-RACK {CORRAL} U-STRUT {ANGLED}		
.X	.030	GERI MOHR	11/28/12	<b>Cycle Safe</b> 5211 CASCADE RD SE, SUITE 210 GRAND RAPIDS, MI 49546 www.cyclesafe.com
.XX	.010	CHECKED	03/28/13	
.XXX	.005	APPROVED	DATE	
ANGLE	1/2°	D	STRUT BASE (4-BIKE) ASSEMBLY	17501